



NAME OF THE PRODUCT:

SALSA HUICHOL LA DE LAS BOTANAS

PRODUCT DESCRIPTION:

“Salsa Huichol de las Botanas” Sauce is made with natural ingredients, no artificial essences are used.

Semi-liquid consistency, not very thick and homogeneous with a very particular flavor.

INGREDIENTS:

Water, Chili Peppers, Iodized salt, Acetic acid, Xanthan gum, Sodium benzoate 0.1%.

CONSERVATION TYPE:

Store at room temperature.

STORAGE:

Preserv at enviromental temperature and protect from the solar light.

SHELF LIFE EXPECTANCY:

Bottle 3 Years. Sachets 2 Years.



PRESENTATIONS AND COMERCIAL PACKAGES:

Presentation:	Quantity:
Sachet 0.353 Oz.	Box with 500 Sachets.
12 Oz.	Box with 15 bottles.
33.8 Oz.	Box with 12 bottles.
1.05 Gal.	Box with 3 bottles.

ORGANOLEPTIC CHARACTERISTICS:

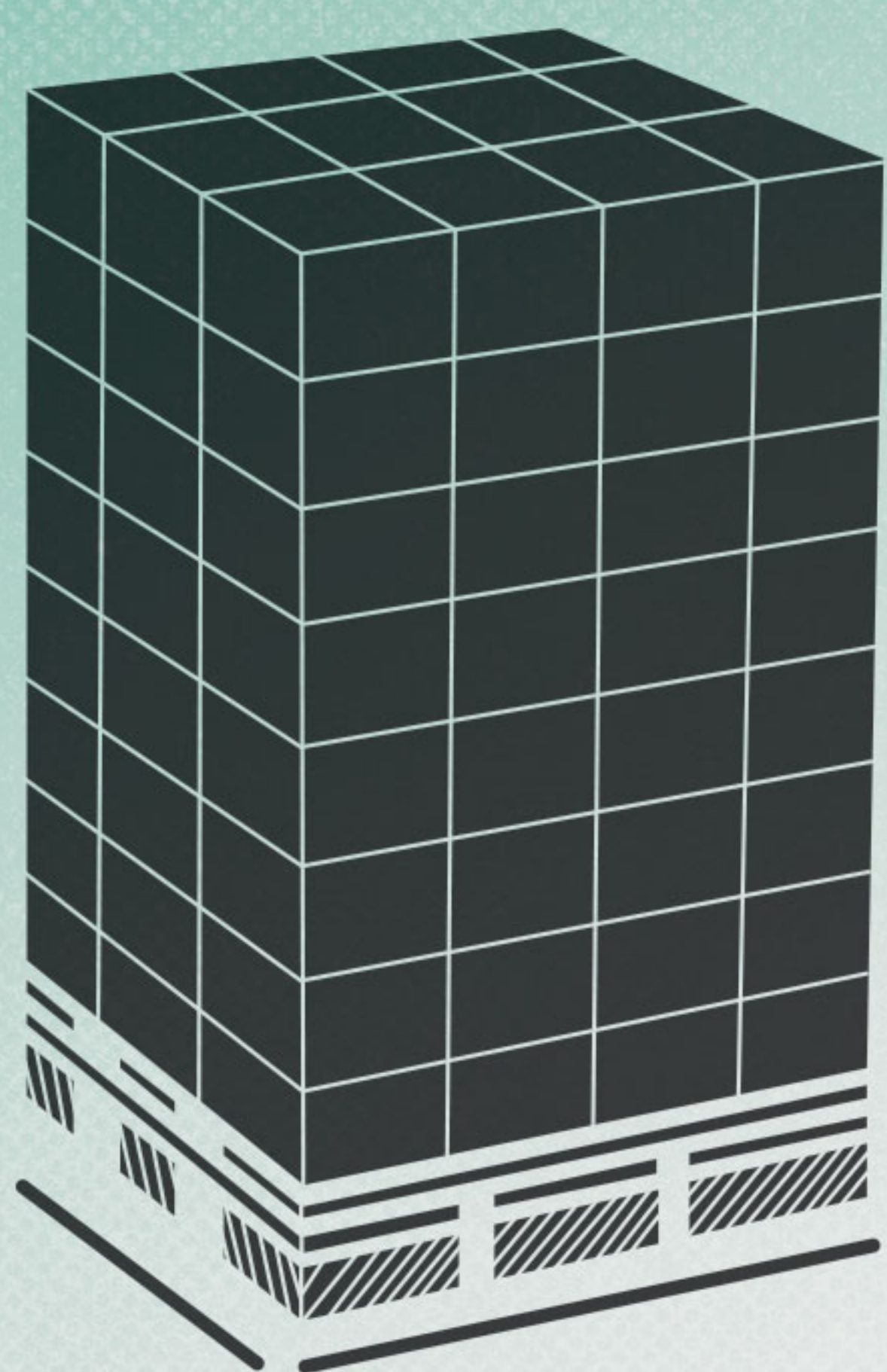
- Colour:** Characteristic of the variety of chilies mix.
- Odor:** Characteristic of the variety of chilies mix.
- Flavor:** Spiciness characteristic of the variety of chilies mix.
- Consistency:** Semi-liquid, not very thick and homogeneous.

FINISHED PRODUCT DATA SHEET



Salsa Huichol[®] la de las Botanas

PALLET CONFIGURATION



	1.05 Gal. /3 bottles	1.05 Gal. /12 bottles	1.05 Gal. /15 bottles	1.05 Gal. /500 sachets
Cases per layer	19	14	17	16
Number of layers	4	5	7	6
Pallet size (in)	40" x 48"	40" x 48"	40" x 48"	40" x 48"
Pallet Height (in)	51"	63"	57"	51"
Pallet weight (lb)	2,183	1,984	922	1,058

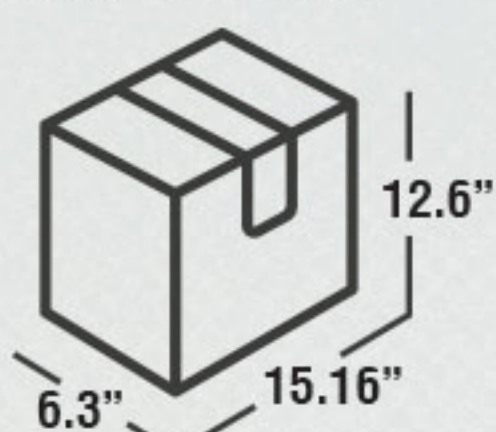
PRODUCT CODES



1.05 GAL.



SKU: BOTTLE



CONTAINS 3 BOTTLES



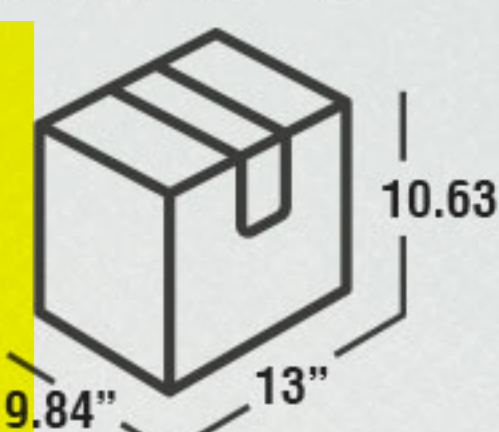
SKU: BOX



33.8 OZ.



SKU: BOTTLE



CONTAINS 12 BOTTLES



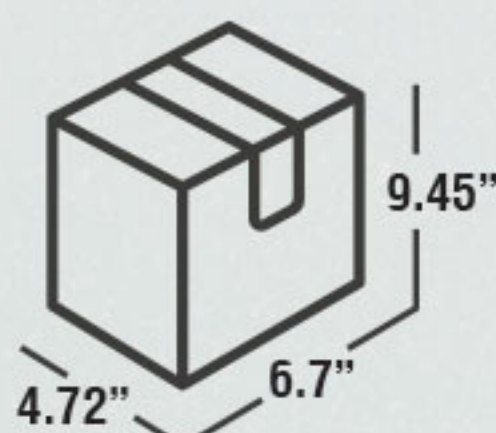
SKU: BOX



12 OZ.



SKU: BOTTLE



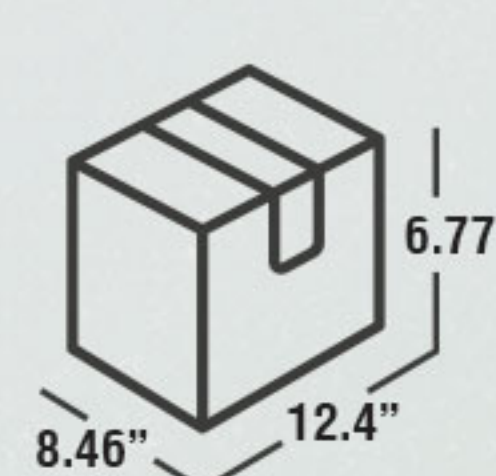
CONTAINS 15 BOTTLES



SKU: BOX



0.353 OZ.



CONTAINS 500 SACHETS



SKU: BOX

