

Salsa Huichol^{MR} HABANERA

NAME OF THE PRODUCT:

SALSA HUICHOL HABANERA

PRODUCT DESCRIPTION:

“Salsa Huichol Habanera” Sauce is made with dry peppers, spices, iodized salt and acetic acid.

Semi-liquid consistency, not very thick and homogeneous with a very particular flavor.

INGREDIENTS:

Water, Chili Peppers, Iodized salt, Acetic acid, Spices, Xanthan gum, Sodium benzoate 0.1%.

CONSERVATION TYPE:

Store at room temperature.

STORAGE:

Preserv at enviromental temperature and protect from the solar light.

SHELF LIFE EXPECTANCY:

3 Years.



PRESENTATIONS AND COMERCIAL PACKAGES:

Presentation:
6.42 Oz

Quantity:
Box with 12 bottles.
Box with 24 bottles.

ORGANOLEPTIC CHARACTERISTICS:

Colour: Characteristic of the variety chilies or chili mix.

Odor: Characteristic of the variety chilies or chili mix.

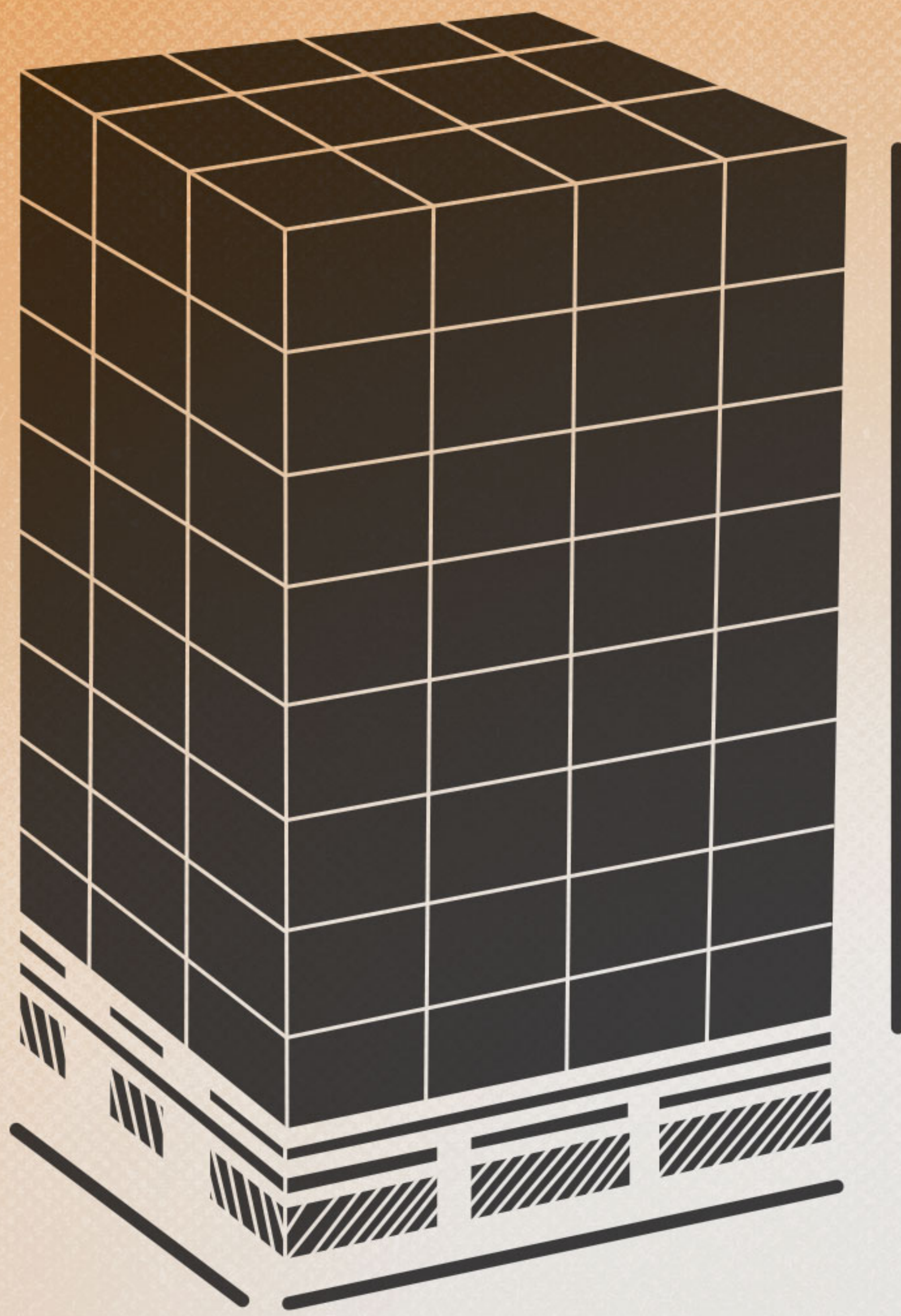
Flavor: Spiciness characteristic of the variety of chili or chilies mix.

Consistency: Semi-liquid, not very thick and homogeneous.

FINISHED PRODUCT DATA SHEET

Salsa Huichol HABANERA

PALLET CONFIGURATION



	6.42 Oz. /12 bottles	6.42 Oz. /24 bottles
Cases per layer	40	20
Number of layers	8	8
Pallet size (in)	40" x 48"	40" x 48"
Pallet height (in)	63"	63"
Pallet weight (lb)	2,006	2,006

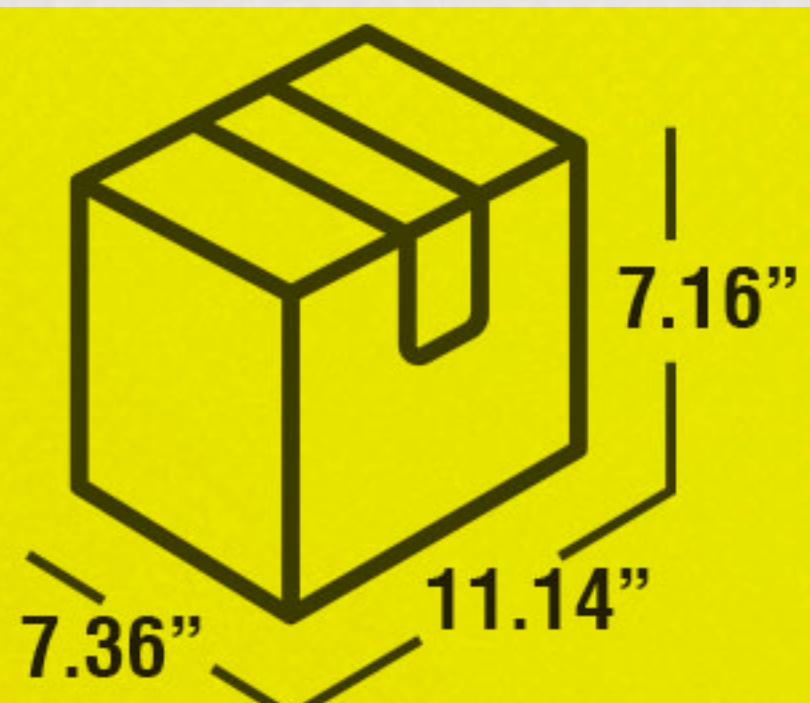
PRODUCT CODES

6.42 OZ



SKU: BOTTLE

12.173 OZ SINGLE

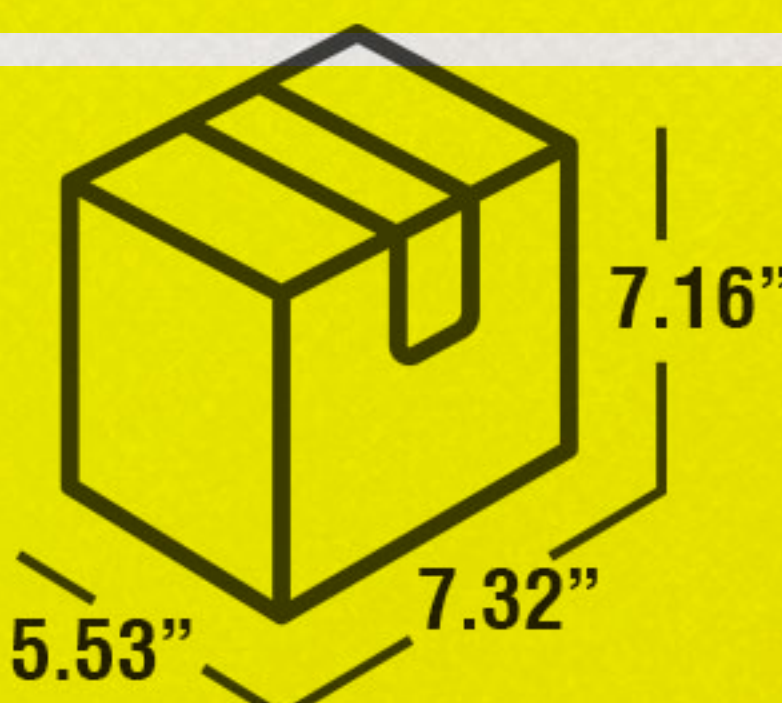


CONTAINS 12 BOTTLES



30012957101014

SKU: BOX



CONTAINS 24 BOTTLES



10012957101010

SKU: BOX



TECHNICAL DATA SHEET HUICHOL SAUCE